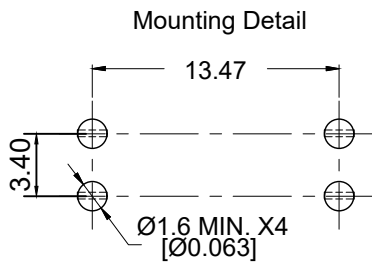
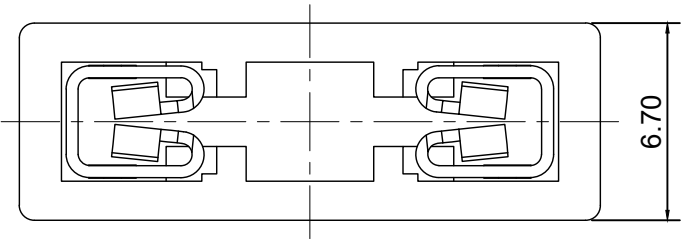
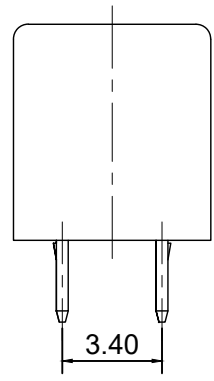
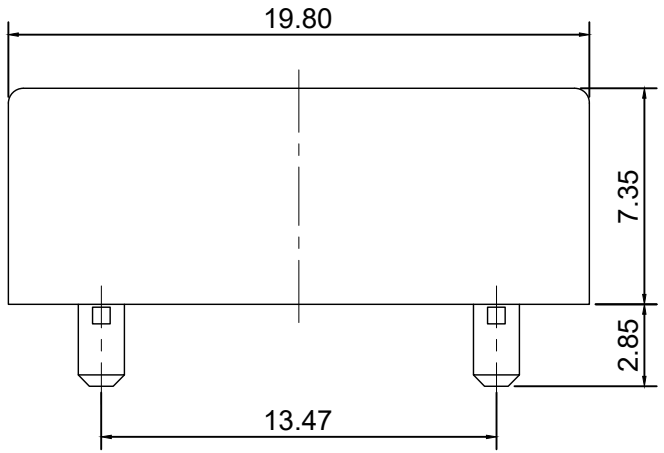


RoHS

| REV | ECN NO. | DESCRIPTION | DESIGN | APPROVAL | DATE |
|-----|---------|-------------|--------|----------|------------|
| A1 | NEW | 更换图框 | | | 2023.11.25 |



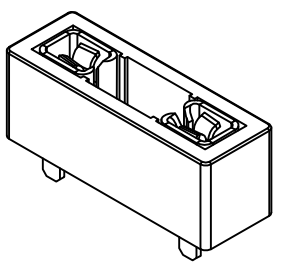
| | |
|--------------------------------------|--|
| Product Characteristics | |
| Blocks and Clips for Blade Fuses | |
| Compatible Fuses | Automotive Blade Fuses |
| Electrical Specifications | Rated Voltage: 500 V |
| | Rated Current: From 15 to 30 A |
| Molded Parts | Insulation Block: Black Thermoplastic PET (UL94 V-0) and PA66 (UL94 V-0) |
| Metal Parts | PCB Terminals: Tin Plated Cu Alloy |
| Electrical | Insulation Resistance: 10,000 Megaohm Minimum at 500 VDC |
| | Contact Resistance: ≤ 5 mΩ Maximum |
| Ambient Temperature -40 °C to 125 °C | |



产品名称说明：
XF-508P-A-B
 1 2 3
 1.序列号
 2.保险丝类型:A=大号
 B=小号
 3.颜色码: B=黑色
 Y=黄色
 R=红色
 W=白色
 O=橙色



ACTUAL SIZE



| | | | | | | | | |
|--|--------|-------------------------|-------------------|-------|-------|----------------|--|--|
| X.±0.50 | X.°± | PART NO: XF-508P-A-B | XFCN 兴飞连接器 | | | | | |
| .X±0.25 | .X°± | | | | | 0769-82001899 | | |
| .XX±0.15 | .XX°± | | | | | www.xfconn.com | | |
| .XXX±0.10 | .XXX°± | | | | | DWG NO: / | | |
| UNITS: | mm | | | | | | | |
| THESE DRAWINGS AND SPECIFICATIONS ARE THE PROPERTY OF XFCN AND SHALL NOT BE REPRODUCED, COPIED OR CUED IN ANY MANNER WITHOUT THE PRIOR WRITTEN CONSENT OF XFCN | | APPD | | | | | | |
| | | CHKD | | | | | | |
| | | DRAW | Wang | VIEW | | | | |
| | | DATE | 2023.11.25 | SCALE | SHEET | REV | | |
| | | | | NONE | 1:1 | A1 | | |